

LED Floodlight

Product Code: HYUFL001, HYUFL002

Installation Instructions

01.2021



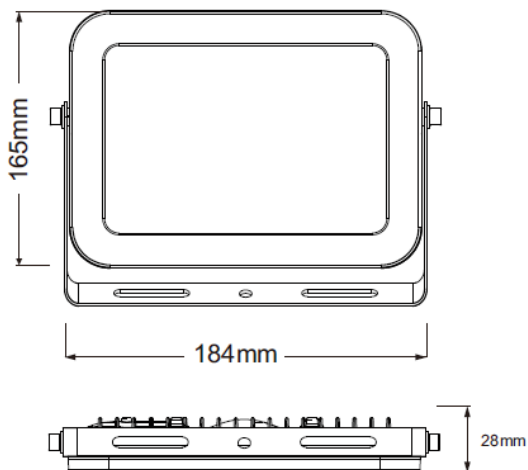
PRODUCT SPECIFICATION:

Parameter	HYUFL001	HYUFL002
IP Rating	IP65	IP65
CCT	3000K	3000K
Colour Rendering Index	>70	>70
Total Power	20W	50W
Voltage Rating	240V	240V
In-rush Current	10A/200 μ s	8A/20 μ s
Line Current	0.18A	0.25A
Power Factor	0.5	0.9
Rated Ambient Temperature	40°C	40°C
Dimmable	No	No
Rated Average Design Life	30,000Hrs	30,000Hrs
Dimensions	184x165x28mm	230x195x32mm
Flex length	1m	1m
Class of Protection	Class I	Class I

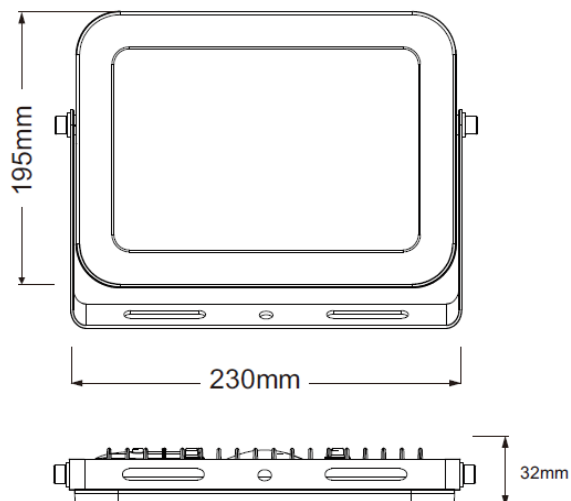
The RCM marking of this product applies to AS/NZS CISPR15 (EMC) "Limits and methods of measurement of radio disturbance characteristics of electrical lighting and similar equipment". This product is designed to conform to AS/NZS60598 "Luminaires, general requirements and tests".

LINE DRAWINGS

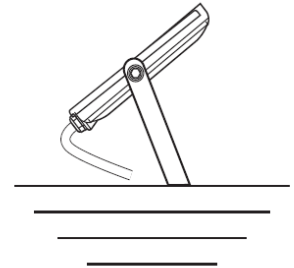
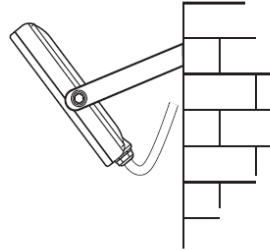
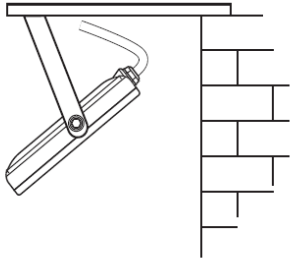
HYUFL001



HYUFL002



INSTALLATION ORIENTATION



WARRANTY

For warranty information please go to: <https://www.hyundailighting.com.au/>

HYUNDAI

LIGHTING

For inquiries please contact:

Azoogi Pty Ltd

E-mail: info@hyundailighting.com.au

www.hyundailighting.com.au

Licensed by HYUNDAI Corporation Holdings, Korea
Imported/Distributed by Azoogi Pty Ltd