

LED Garden Light Kit Installation Manual



LED Garden Light Kit Installation Manual

Specifications

| | |
|------------------------------|-------------------------|
| Weight | 1 kg |
| CCT | 3000K (Warm White) |
| Lumen Output | 350lm |
| Dimmable | Non-dimmable |
| Finish | Black |
| Input Voltage (Garden Light) | 12V DC |
| Input Voltage (LED Driver) | 240V AC |
| Wattage | 5W |
| IP Rating | IP67 |
| Warranty | 3 Years |
| CRI | > 80 |
| Cable | 10m (2m between spikes) |
| Product dimensions | 6x24cm |

Packaging contents

- a** 5 x garden lights with 1.5m cables and male connectors
- b** 1 x 10m connection cable with female T-connectors.
- c** 5 x garden light spikes
- d** 1 x LED driver
- e** 5 x (washers + screws)
- f** 4 x screws
- g** 1 x allen key
- h** 2 x connector plugs

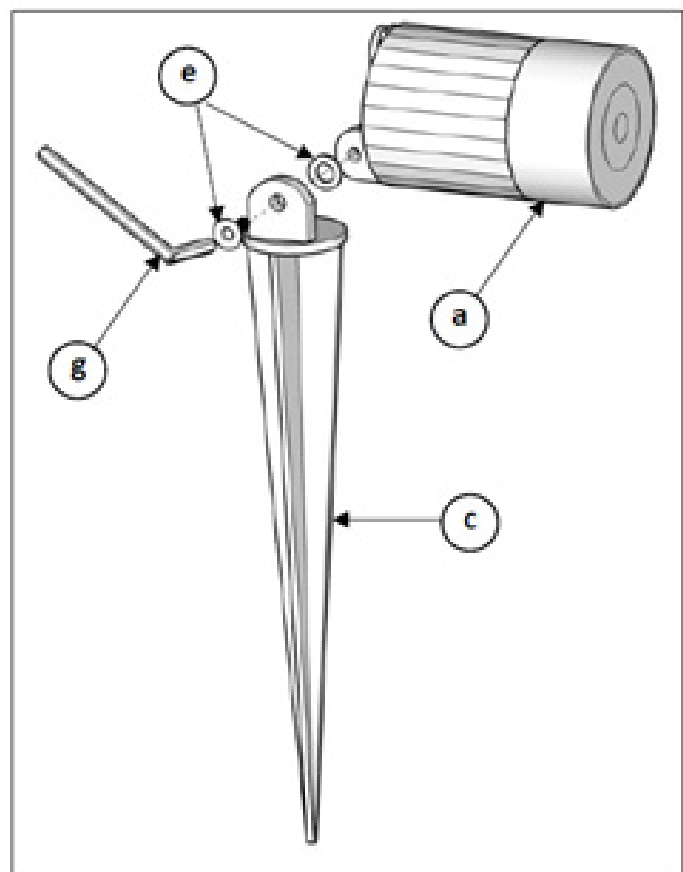
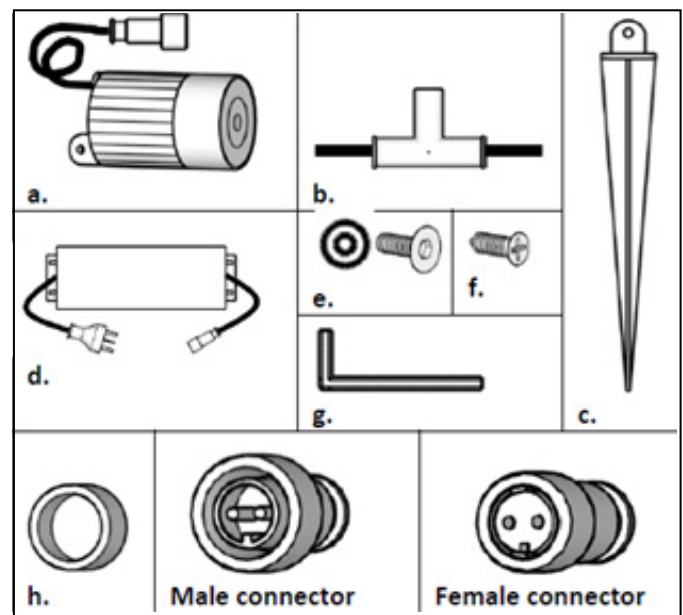
Warranty information

3 years limited warranty.

Visit <https://hyundailighting.com.au/terms-and-conditions/> for detailed warranty information.

Email: info@hyundailighting.com.au

Installation Steps



LED Garden Light Kit Installation Manual

- 1 Before installation, make sure the power supply is switched off.
- 2 Attach the spike to the light via the screw provided.
- 3 Adjust the orientation of the garden light to the desired angle and tighten the screw.
- 4 Spread the connection cable in your garden placing the cable end with the male connector near a power point.
- 5 Connect the garden lights to the provided connections. Make sure you align the notch in the connectors before connecting them. Tighten the connector cap to seal the connection and stake the light into the ground.
- 6 Mount the LED driver on a surface such as a wall using the 4 screws (figure f.) provided, if required.
- 7 Connect the LED driver to the connection cable and screw the cap to seal the connection. If not all garden lights are used, seal the open connectors using the connector plugs provided.
- 8 Connect the 3-pin plug of the driver to the AC mains socket and switch the power supply on.

NOTE:

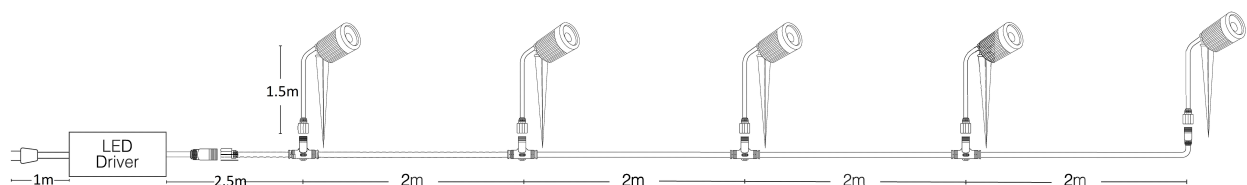
1. Make sure the LED driver and the garden light are not sited such that they get flooded with water.
2. Ensure all connections are tight and sealed by tightening the connector cap.
3. Do not leave any connector open.

Cleaning

Before cleaning, disconnect from mains supply and allow the garden light to cool. Only use a damp, microfibre cloth for cleaning. A diluted solution of a mild pH-neutral liquid detergent can be used for resistant dirt. Do not use high pressure cleaners.

Wiring

Refer to the wiring diagram below for wiring illustrations.



The RCM marking of this product applies to **AS/NZS CISPR15** (EMC) "Limits and methods of measurement of radio disturbance characteristics of electrical lighting and similar equipment". This product is designed to conform to **AS/NZS60598** "Luminaires, general requirements and tests".