

Garden light accessories instructions

Installation Manual



Product Specifications

	LED Garden Light Warm White	Garden Light Driver 100W 12V	Garden Light Interconnect Cable
Product code	HYUGL003	HYUDR003	HYUGL004
Weight	0.5kg	0.5kg	0.1kg
CCT	3000K		
Lumen Output	350lm		
Finish	Black		
Input Voltage	12V DC	220-240V AC	
Output Voltage	240V AC	12V DC	
Wattage	5W	100W	
IP Rating	IP67	IP67	IP67
Warranty	3 Years	3 Years	3 Years
CRI	> 80		
Cable length	1500mm	1000mm (AC side), 0.5m (DC side)	2000mm
Dimensions	ϕ60m x 240mm	57 x 83 x 228mm	2000mm
Beam Angle	60°		

Warranty information

3 years limited warranty. Visit <https://hyundailighting.com.au/terms-and-conditions/> for detailed warranty information.

Email: info@hyundailighting.com.au

Packaging contents

LED Garden Light Warm White	Garden Light Driver 100W 12V	Garden Light Interconnect Cable
1 x Garden light with male DC connector	1 x Garden light driver with AC plug and female DC connector	1 x 2m Garden light interconnect cable with 1 male and 2 female DC connectors
1 x Garden light spike		
1 x Allen key		
1 x screw/washer		
2 x connector plugs		

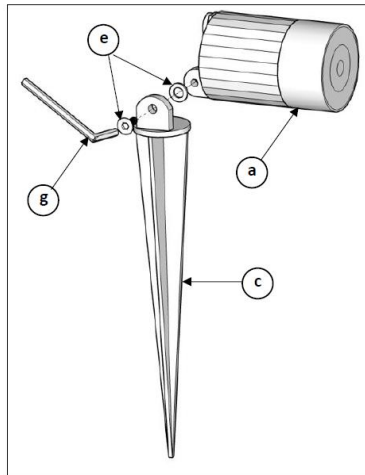
Applications

1. Create your own garden light kit of up to 10 Hyundai LED Garden lights (HYUGL003) with Interconnect cables (HYUGL004) and Garden light driver (HYUDR003).
2. Add up to 5 additional garden lights to your existing Hyundai Garden Light Kit using LED Garden lights (HYUGL003) and Interconnect cables (HYUGL004).
3. Extend the length of your garden light cable run (max up to 10m) using Interconnect cables (HYUGL004).

Refer to the installation steps and wiring diagrams below for your reference.

Installation Steps

1. Before installation, make sure the power supply is switched off.
2. Attach the spike to the light via the screw provided.
3. Adjust the orientation of the garden light to the desired angle and tighten the screw.



4. Option 1:

Create your own garden light kit

- Connect the male connector of garden light directly to the female connector of LED driver for single garden light or connect via interconnect cables for multiple garden lights.

5. Option2:

Connect additional garden lights to garden light kit

- Remove the garden light from the last connector in your garden light kit cable.
 - Connect the male connector of the interconnect cable to the garden light kit cable
 - Connect garden light removed from the kit and the additional garden light to the two female connectors of the interconnect cable
 - Extend your kit cable length by connecting a series of the interconnect cable (max up to 10m) or connect additional garden lights (max up to 5 additional lights).
6. Make sure you align the notch in the connectors before connecting them. Tighten the connector cap to seal the connection and stake the light into the ground.

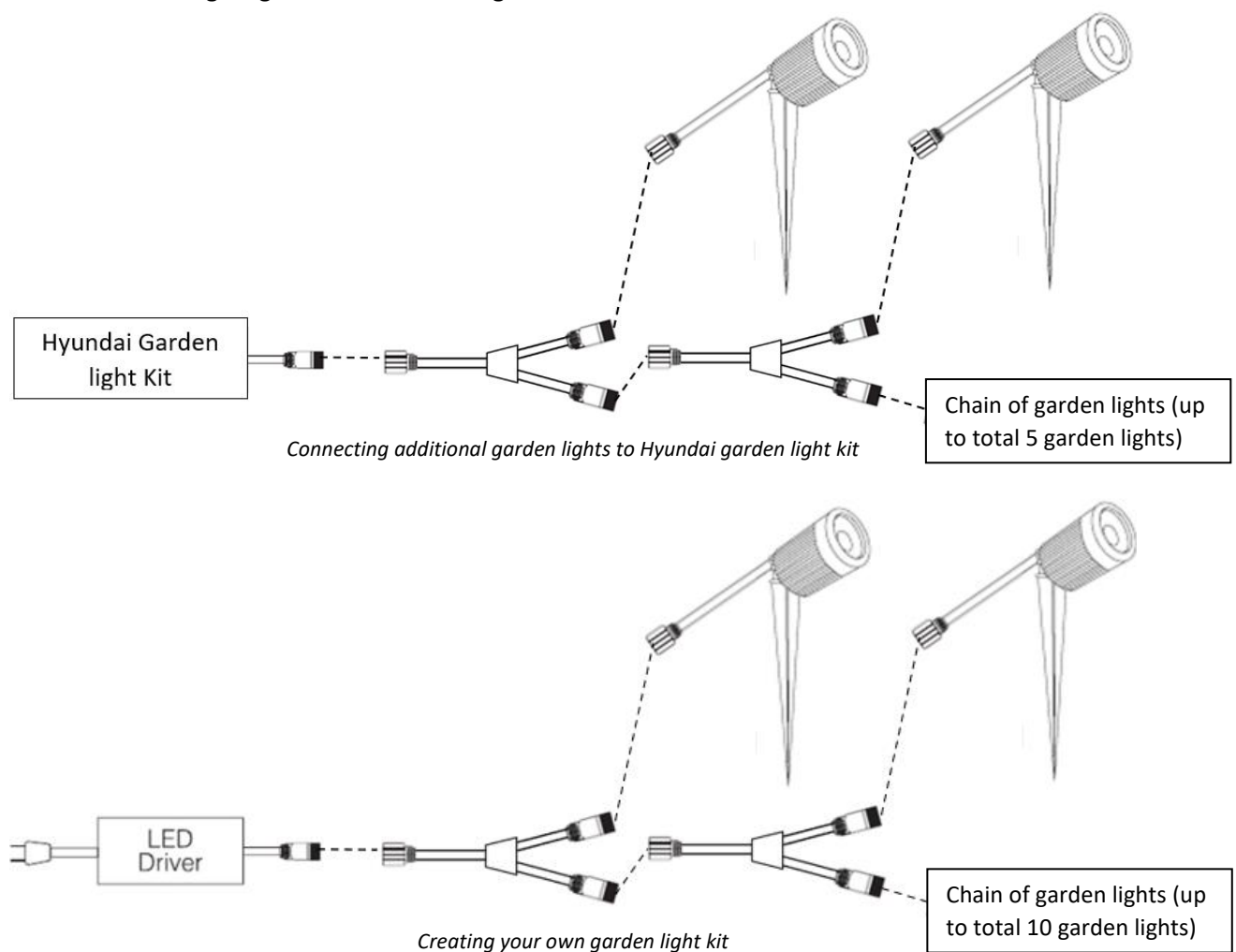
7. Connect the 3-pin plug of the driver to the AC mains socket and switch the power supply on. The lights should now turn on.

Note:

1. Make sure the LED driver and the garden lights are not sited such that they get flooded with water.
2. Ensure all connections are tight.

Wiring

Refer to the wiring diagram below for wiring illustrations.



HYUNDAI

LIGHTING

Cleaning

Before cleaning, disconnect from mains supply and allow the garden light to cool. Only use a damp, microfibre cloth for cleaning. A diluted solution of a mild pH-neutral liquid detergent can be used for resistant dirt. Do not use high pressure cleaners.

*The RCM marking of this product applies to **AS/NZS CISPR15** (EMC) "Limits and methods of measurement of radio disturbance characteristics of electrical lighting and similar equipment". This product is designed to conform to **AS/NZS60598** "Luminaires, general requirements and tests".*